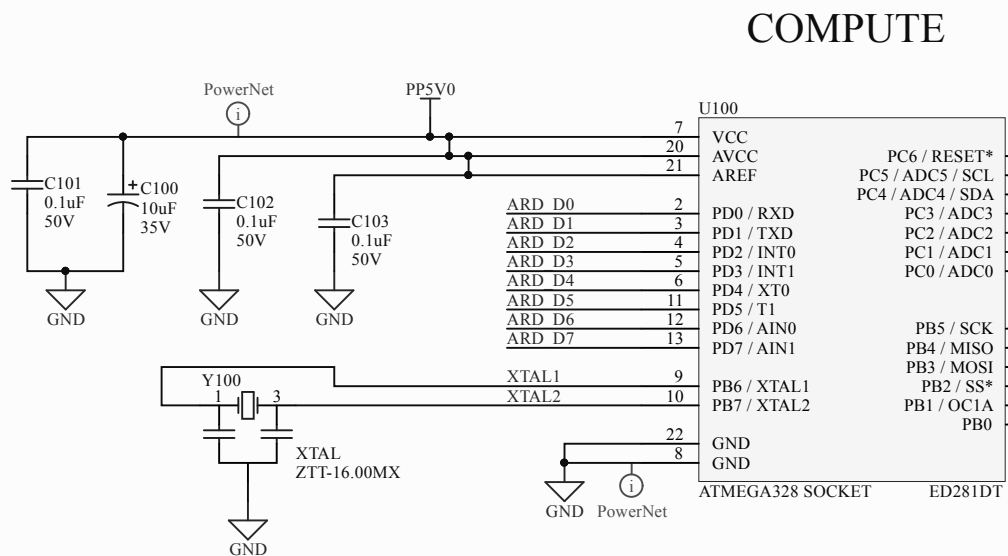
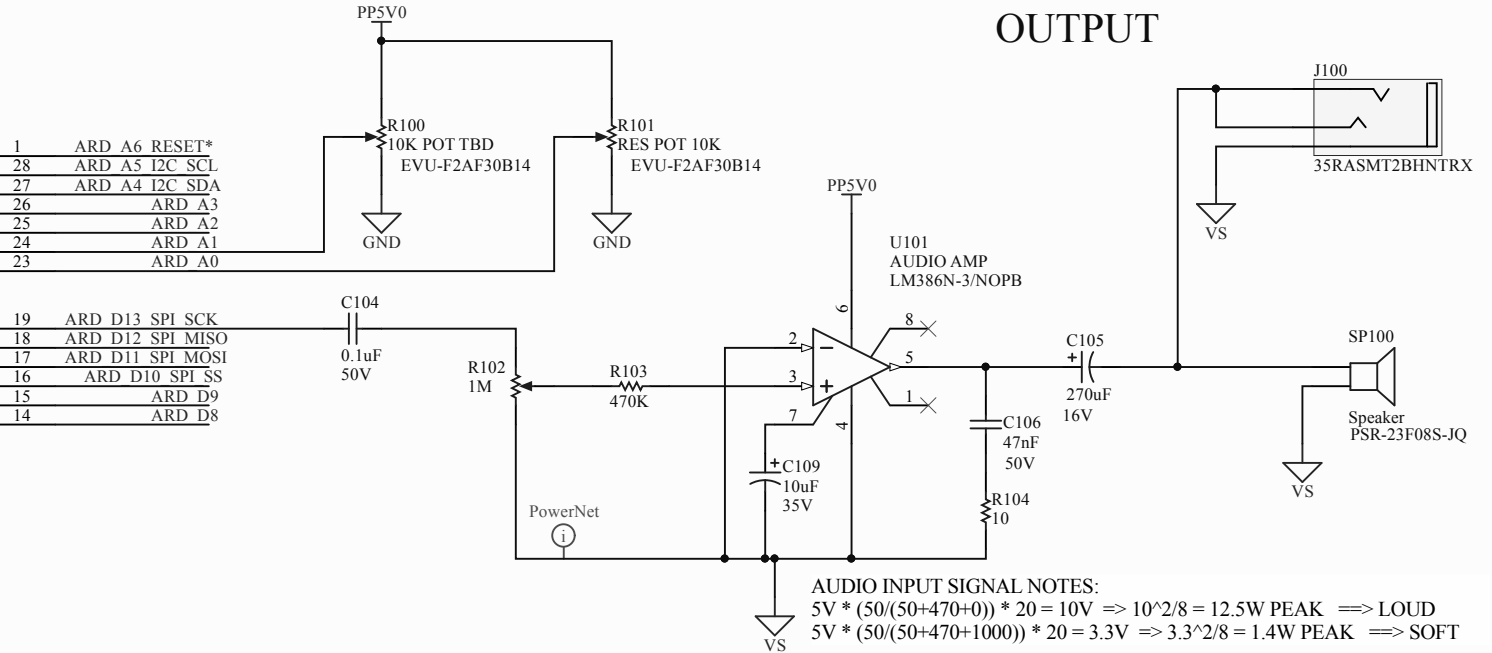


MINUTEDUINO

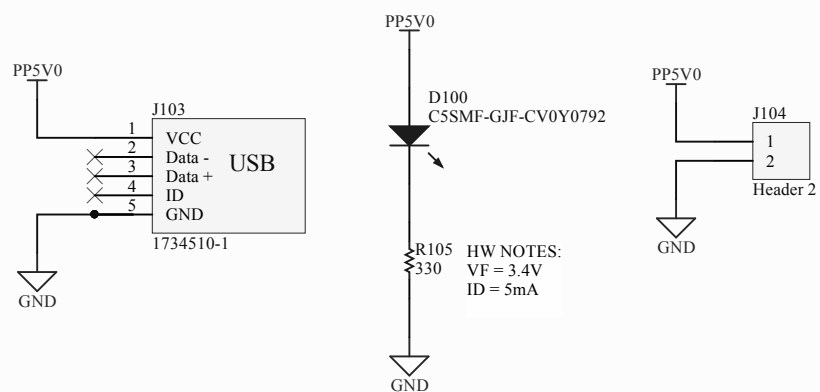
COMPUTE



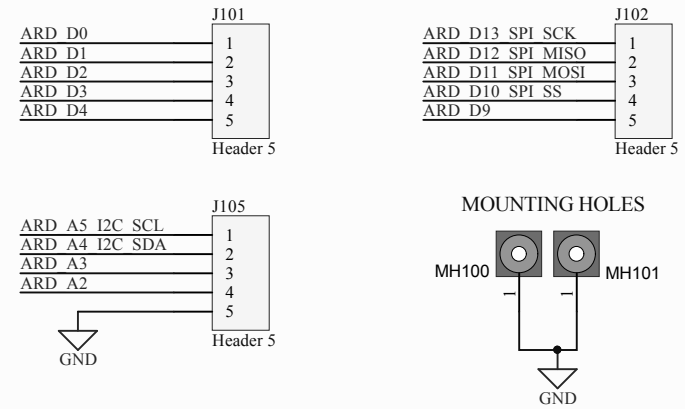
OUTPUT



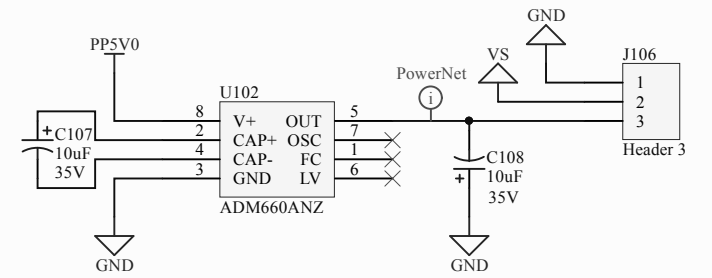
POWER INPUT



UNUSED PINS



NEG SUPPLY CONVERTER



Title		
ENGIN112 MINUTEDUINO F2016		
Size	Number	Revision
Legal		1
Date:	9/12/2016	Sheet of
File:	E:\projects\...\ACSOUSA_SCH.SchDoc	Drawn By: ANDREW SOUSA